



WAYFARER™ WDA120KU

1.2m Ku-Band Drive-Away

Norsat's solution for reliable and easy-to-deploy mobile communications. The solid, low weight, and low height reflector mount deploys easily for fast and reliable satellite acquisition. Whether mounted on an emergency vehicular command center or a mobile broadcast van – count on Norsat's WAYFARER™ drive-away terminals for drive-away broadband-level communications capability.

FEATURES

- Easy and intuitive LinkControl™ Interface
- Heavy duty platform and reflector folding design
- Lightweight and durable carbon fiber reflector
- Fast, simple, intuitive one-button deployment on ACU
- From “stow-to-go” in under 8 minutes
- Automatic 3-axis acquisition
- Wide range of Norsat BUC and LNB configurations
- Includes easy-to-use IRU ACU for indoor operation



SPECIFICATIONS

ELECTRICAL

| | |
|------------------------------|--|
| Reflector aperture | 1.2m |
| Reflector material | Carbon fiber |
| Reflector type | Offset |
| Tx frequency | 13.75 to 14.5 GHz |
| Rx frequency | 10.70 to 12.75 GHz |
| Tx gain | 42.8+20log(f/14.25) dBi |
| Rx gain | 41.5+20log(f/12.5)dBi |
| Polarization | Linear |
| Cross polarization (On-Axis) | ≥35 dB |
| Rx/Tx isolation | Rx ≥ 40dB Tx ≥ 85 dB |
| Sidelobe | First sidelobe ≤ -14 dB |
| Azimuth range | ± 200° |
| Elevation range | 10° to 90° |
| Polarization range | ± 90° |
| Azimuth speed | 0.1°/s to 6°/s |
| Elevation speed | 0.1°/s to 6°/s |
| Polarization speed | 0.1°/s to 6°/s |
| Feed interface | WR75 |
| Power supply | AC110-230V 50/60Hz, rated 200W, 500W max |

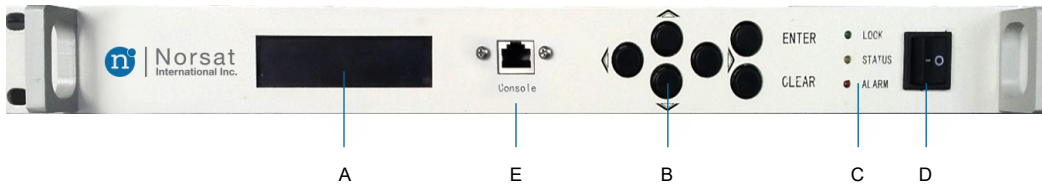
MOUNTING

| | |
|-------------|-------------------------------------|
| Weight | ≤85 Kg |
| Stowed size | 176 cm (L) × 121 cm (W) × 38 cm (H) |

ENVIRONMENTAL

| | |
|-------------------------|----------------|
| Wind load - operational | 72 km/h |
| Wind load - survival | 90 km/h |
| Temperature | -30°C to +55°C |
| Humidity | 0-95% |
| Water ingress | IP 65 |

WAYFARERWDA120KU1.2MKU-BANDAUTODRIVE-AWAYANTENNA



- A - Primary ACU Display
- B - Navigation / Entry keys
- C - Status Indicator
- D - Power Switch
- E - Firmware Upgrade Console Input

HOW TO ORDER

WDA120KU-NA

AC POWER PLUG

- NA = North America (NEMA 5/15)
- UK = United Kingdom (BS 1363)
- EU = Europe (CEE 7/7)
- IEC = IEC (60320 CIA)
- CN = China (Type I Plug)

ACCESSORY OPTIONS

BUC OPTIONS

- 2W
- 3W
- 4W
- 6W
- 8W
- 10W
- 16W
- 20W
- 40W

BUC (Type N Connector)

- ELMTBKU002
- ELMTBKU003
- ELMTBKU004
- ELMTBKU006
- ELMTBKU008
- ELMTBKU010
- ATOMBKU016
- ATOMBKU020
- ATOMBKU040

BUC POWER SUPPLY

- Via IFL Cable Connection
- Via IFL Cable Connection
- Via IFL Cable Connection
- Via IFL Cable Connection
- Via IFL Cable Connection
- Via IFL Cable Connection
- PS300-AT1(NA/UK/EU/IEC)
- PS300-AT1(NA/UK/EU/IEC)
- PS300-AT1(NA/UK/EU/IEC)

BUC M & C CABLE

- Not Applicable
- Not Applicable
- Not Applicable
- Not Applicable
- Not Applicable
- Not Applicable
- CABLEM+C-AT10
- CABLEM+C-AT10
- CABLEM+C-AT10

BUC MOUNTING BRACKETS

- WDA120KUMT-004
- WDA120KUMT-004
- WDA120KUMT-004
- WDA120KUMT-006
- WDA120KUMT-008
- WDA120KUMT-010
- WDA120KUMT-024
- WDA120KUMT-024
- WDA120KUMT-024

LNB OPTIONS

LNB 1000H or HS1000, with Type F (75 Ohm) Connector

IFL CABLE OPTIONS

IFL Cable (10m)

NN-FF

IFL-NN-FF-10

NN-NN

IFL-NN-NN-10

MODEM CABLE OPTION (For iDirect product only)

MOD-CABLE

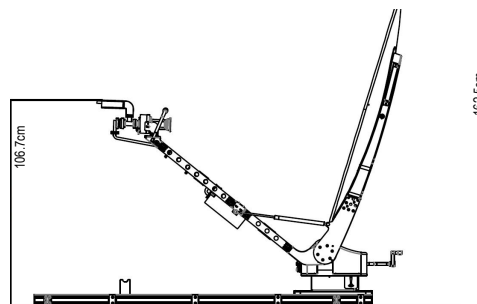
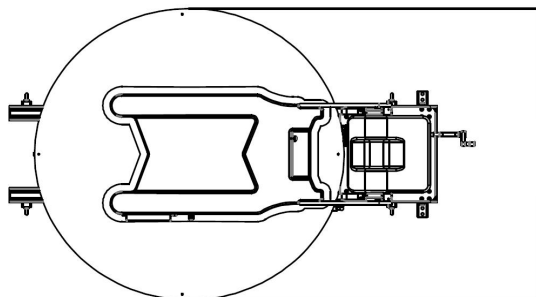
WIND DEFLECTOR

WDA120WIND

INTEGRATION

WF-INT Assembly, function verification, and pointing test (standard product/RF packages only)

Custom integration also available. Contact sales@norsat.com for more information.



sales@norsat.com
www.norsat.com