



BUC GaN

KU-BAND 80W ATOMBKUG

SPECIFICATIONS



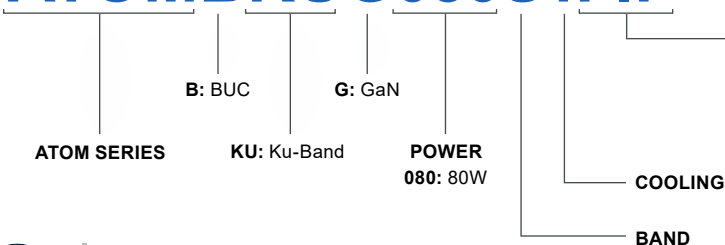
Linear Power* (Plin)	46 dBm min.	Input Voltage	+ 18V to + 56V DC via power connector
Output Power (Psat)	49 dBm min.	Power Consumption	370 W max.
Phase Noise (SSB) max.	-73 dBc/Hz at 1kHz -83 dBc/Hz at 10kHz -93 dBc/Hz at 100kHz -103 dBc/Hz at 1MHz	Power Connector	MIL-26482 Series 1 receptacle Shell Size 12, 4 Pins 58-533723-04P
Linear Gain (BUC)	60 dB min., 70 dB max.	Input (waterproof)	Type N Connector (50 Ohm)
Gain Flatness:		Output (waterproof)	WR-75 waveguide grooved
@Plin		M&C Interface	RS-485 & RS-232 Ethernet
Over Full Band	≤ 6.0 dB p-p	Dimensions (L x W x H) max (With Fan)	160 mm x 95 mm x 166 mm (6.59 in x 3.74 in x 6.51 in)
Over Any 40 MHz	≤ 1.5 dB p-p	Dimensions (L x W x H) max (Without Fan)	168 mm x 85 mm x 80 mm (6.59 in x 3.35 in x 3.16 in)
Over Temperature	≤ 3.0 dB p-p	Weight (With Fan)	< 2.8 kg (6.2 lb)
Output Spurious: In-Band	≤ -60 dBc	Weight (Without Fan)	< 2.3 kg (5.1 lb)
Out-of-Band	≤ -60 dBc	Operating Temperature	-40 to +60°C (Psat) -40 to +71°C (Plin)
Noise Power Density	-90 dBm/Hz in Tx -144 dBm/Hz in Rx	Storage Temperature	-50 to +80°C
Input VSWR	2.0 : 1 max.	Humidity	100% condensing
Output VSWR	2.6 : 1 max.	Enclosed Accessories	Screws, Gasket, M&C Connector, Power Connector
MIL-STD-810 Compliant			

FREQUENCY BANDS

	S: Standard	E: Extended
Transmit Frequency (GHz)	14.0 - 14.5	13.75 - 14.5
L.O. Frequency (GHz)	13.05	12.80
IF Frequency (MHz)	950 - 1450	950 - 1700

HOW TO ORDER

ATOMBKUG080S1FIP



- BLANK:** No Add-on
OPTIONAL ADD-ONS (80W only):
F: EMI/EMC Filter
I: Internal Reference
P: Surge Protection
FI: EMI/EMC Filter & Internal Reference
IP: Internal Reference & Surge Protection
FP: EMI/EMC Filter & Surge Protection
FIP: EMI/EMC Filter, Internal Reference & Surge Protection
- 1:** Internal Fan
2: External Baseplate
- S:** Standard
E: Extended



KU-BAND 80W BUC: ATOMBKUG

MONITOR & CONTROL

M&C Interface:	RS-485 & RS-232	MIL-26482 Series 1 receptacle Shell Size 12, 10 Pins 58-533723-10P
	Ethernet	MIL-26482 Series 1 receptacle Shell Size 10, 6 Pins 58-533722-06P
Mute Control:		Fully configurable (mute enable: high or low, mute default: enabled or disabled)
	Low	0.0 - 0.8V
	High	3.0 - 5.0V

OPTIONAL CONFIGURATION ADD-ONS (80W ONLY)

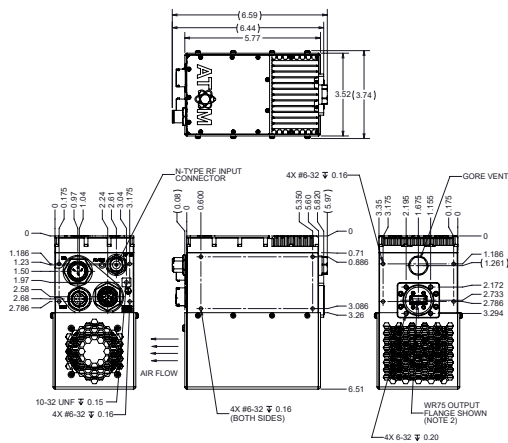
EMI/EMC Filter:	MIL-STD-461
Internal Reference:	With External 10 MHz Reference Auto-Switch
Surge Protection:	MIL-STD-1275D

OPTIONAL ACCESSORIES

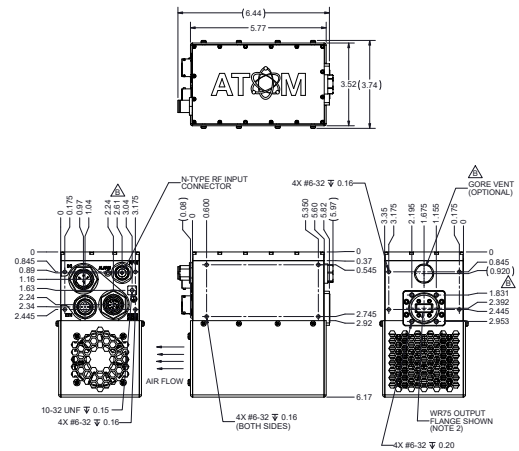
Power Supply	040: PS300-AT1-(NA/UK/EU/IEC/CN/AU) 080: PS600-AT1-(NA/UK/EU/IEC/CN/AU)
M&C Cable	CABLEM+C-AT10

MECHANICAL DIAGRAM

ATOM BUC with internal fans and surge protection



ATOM BUC with internal fans



ATOM BUC with external baseplate

